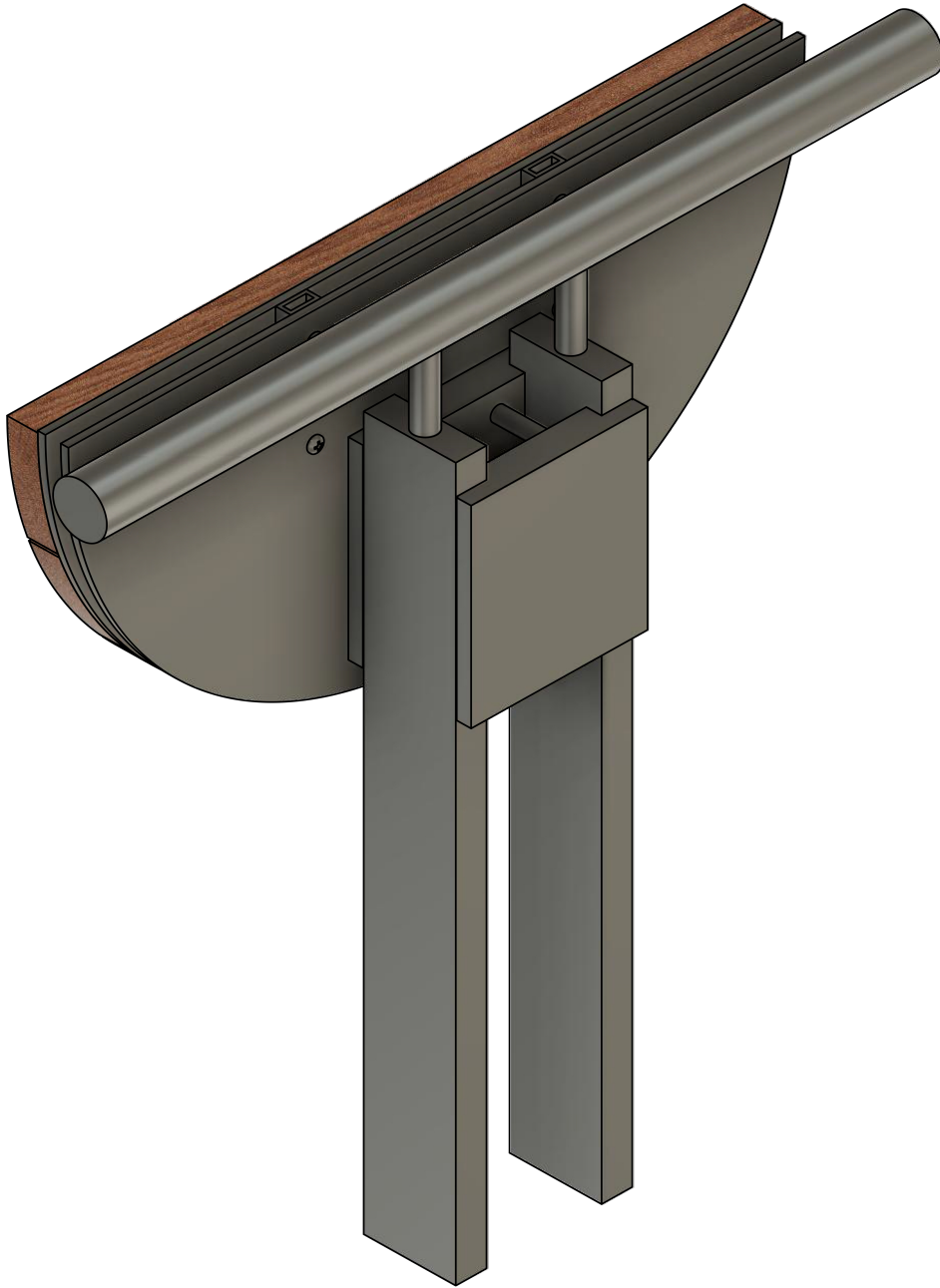


Open ISO Front View

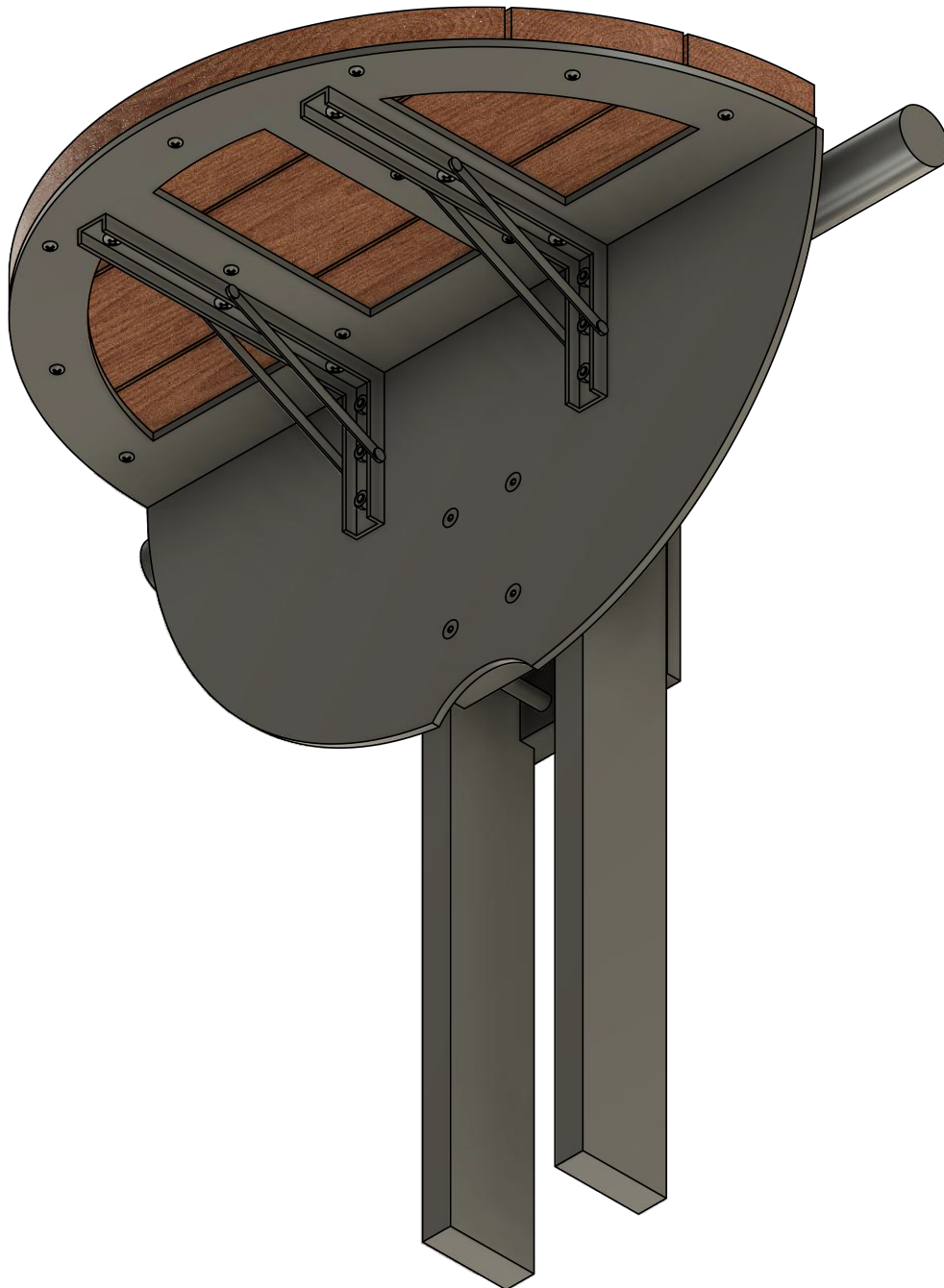


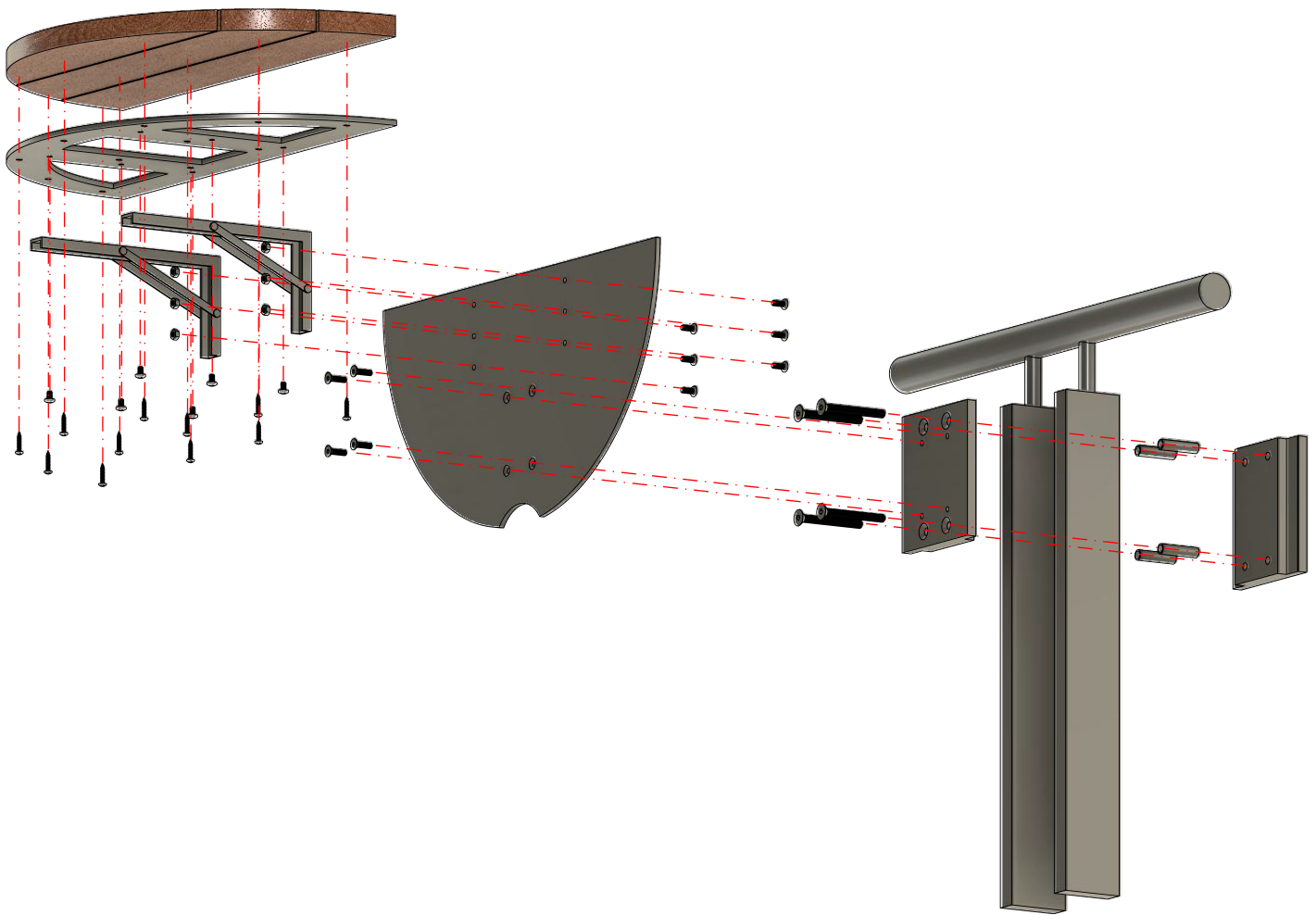
Closed ISO Front View





Open ISO Bottom View





Open X-Ray View

