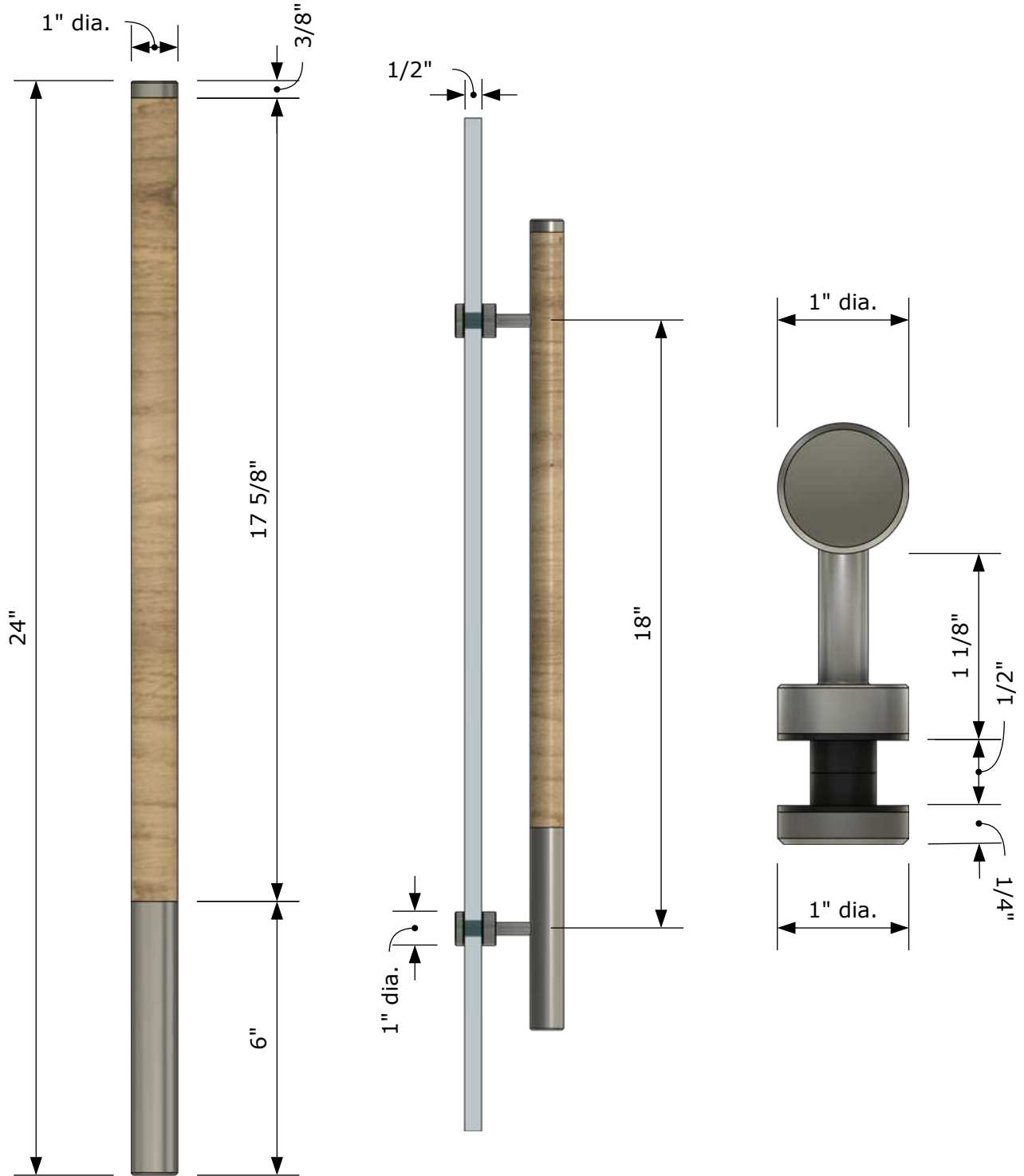


- 24" Wood and Metal Wine Room Door Pulls
- 18" Center Line to Center Line Standoffs





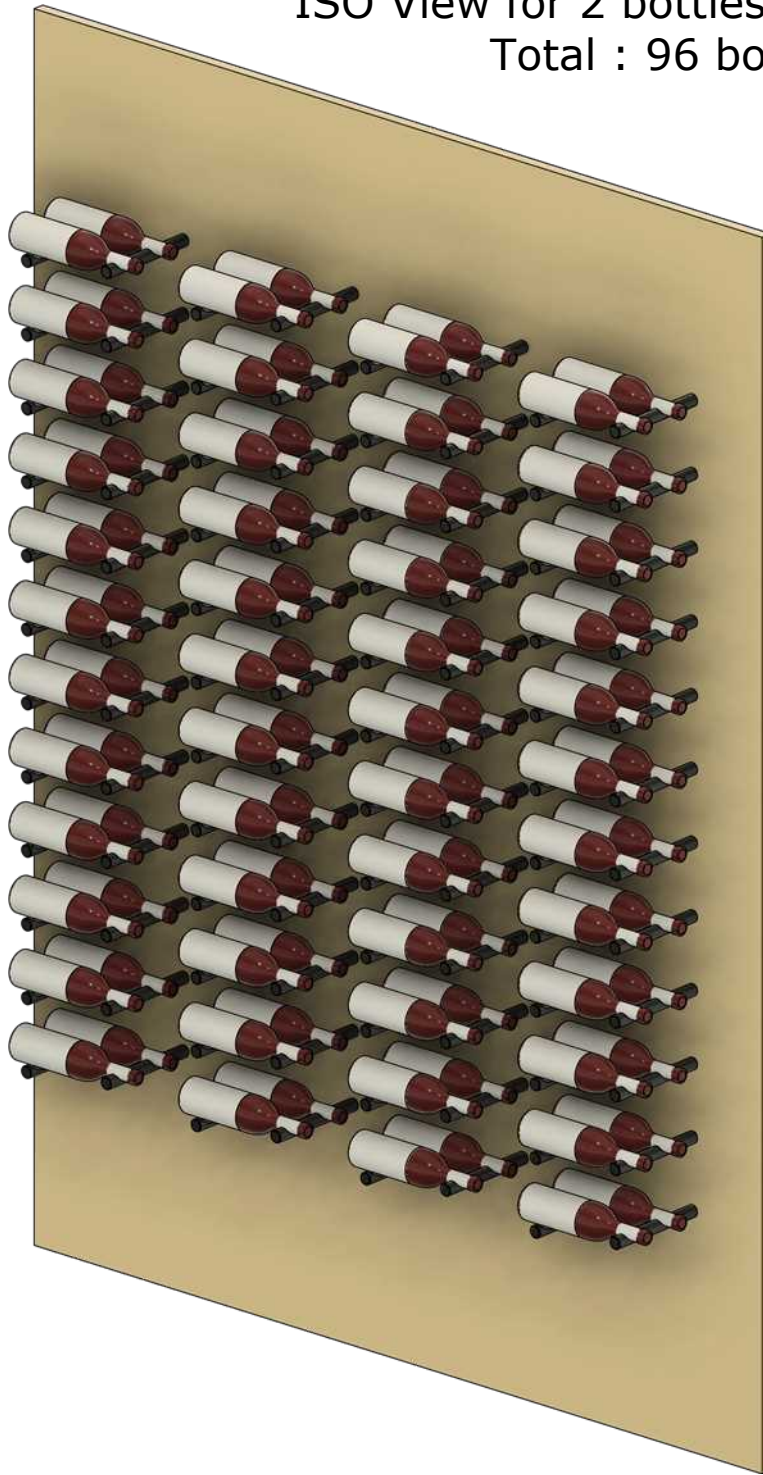
Aspen Hardware Company





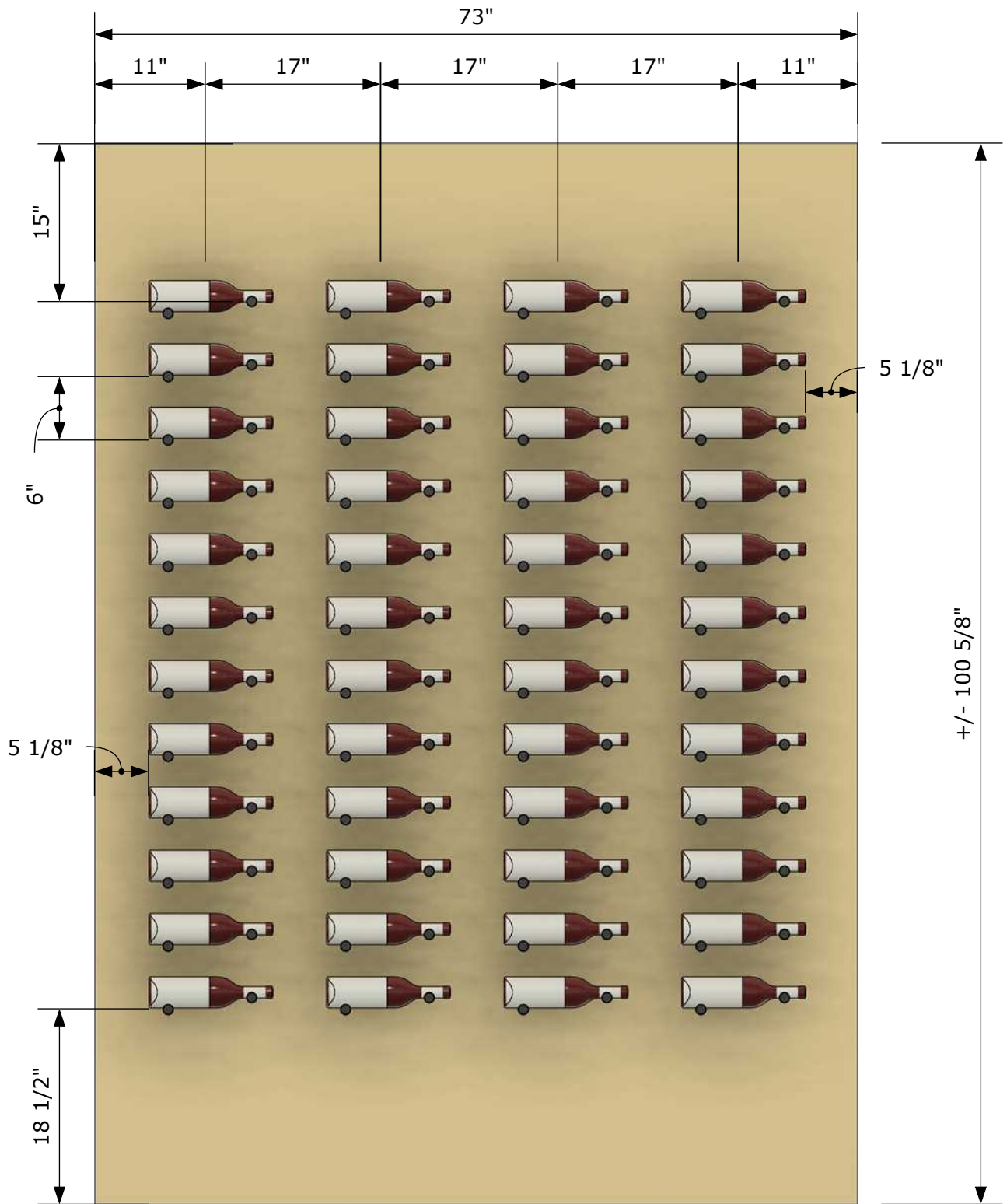
Aspen Hardware Company

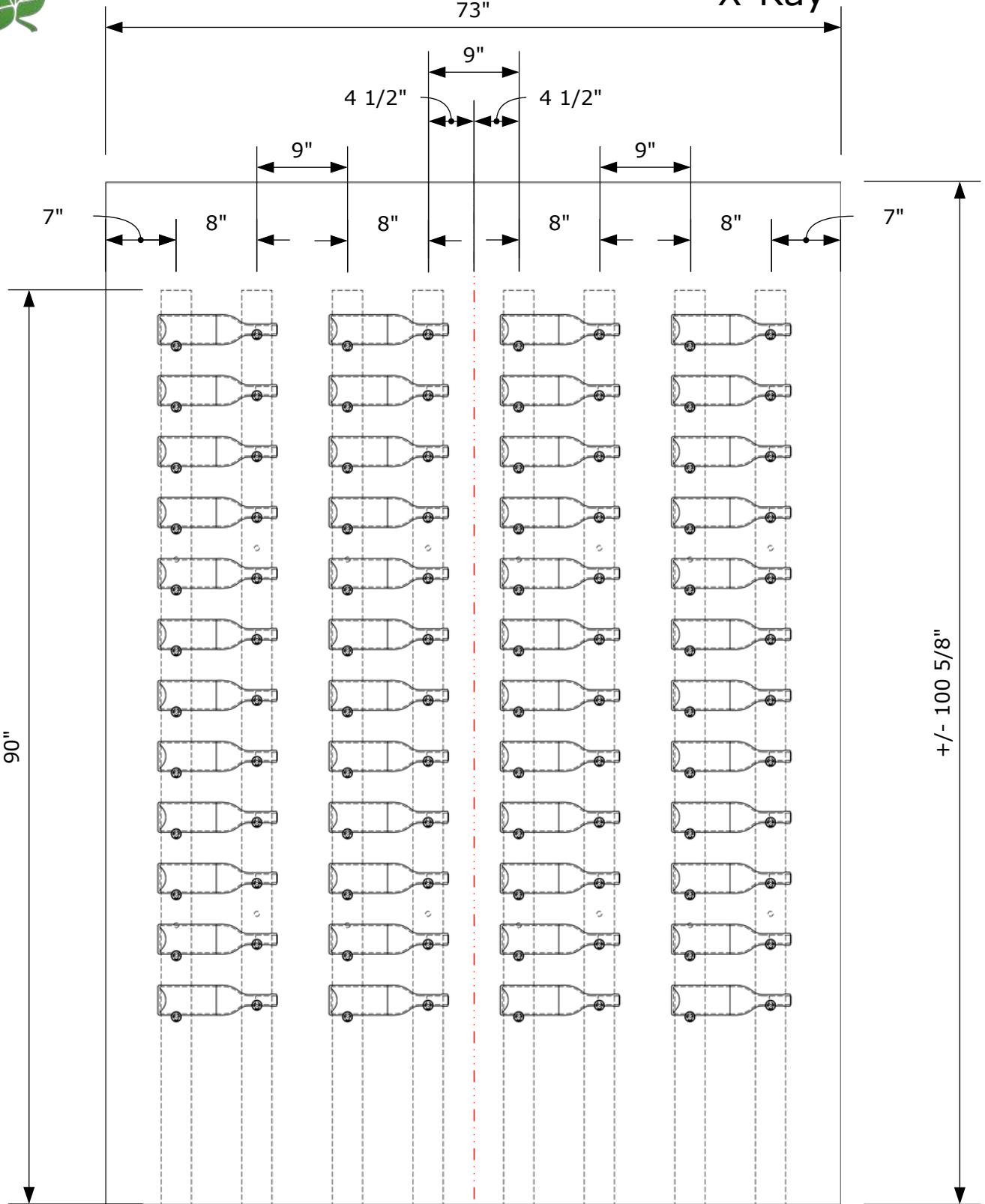
ISO View for 2 bottles deep 750 ML
Total : 96 bottles





Aspen Hardware Company





Shown Looking at Face of Final Product.



aspenhardware.com

Wine Room on Stone Wall

(970) 927-6411 - 180 Southside Dr. Unit #5 Basalt, CO 81621

PG:

5/9



Notes for Installation:

Pin Attachment #1

Use neck of bottle and body of bottle templates to drill 3/4" diameter holes into stone. **Do not drill 1/2" diameter holes into stone.**

Pin Attachment #2

After tightening down each Pin, tap the pin with a hammer to ensure it is properly torqued down and not binding up on the outer two 3/32 tension pins.

Pin Attachment #3

Position each Pin with the groove oriented down if below 64" and up if above 64" (as marked on each support).

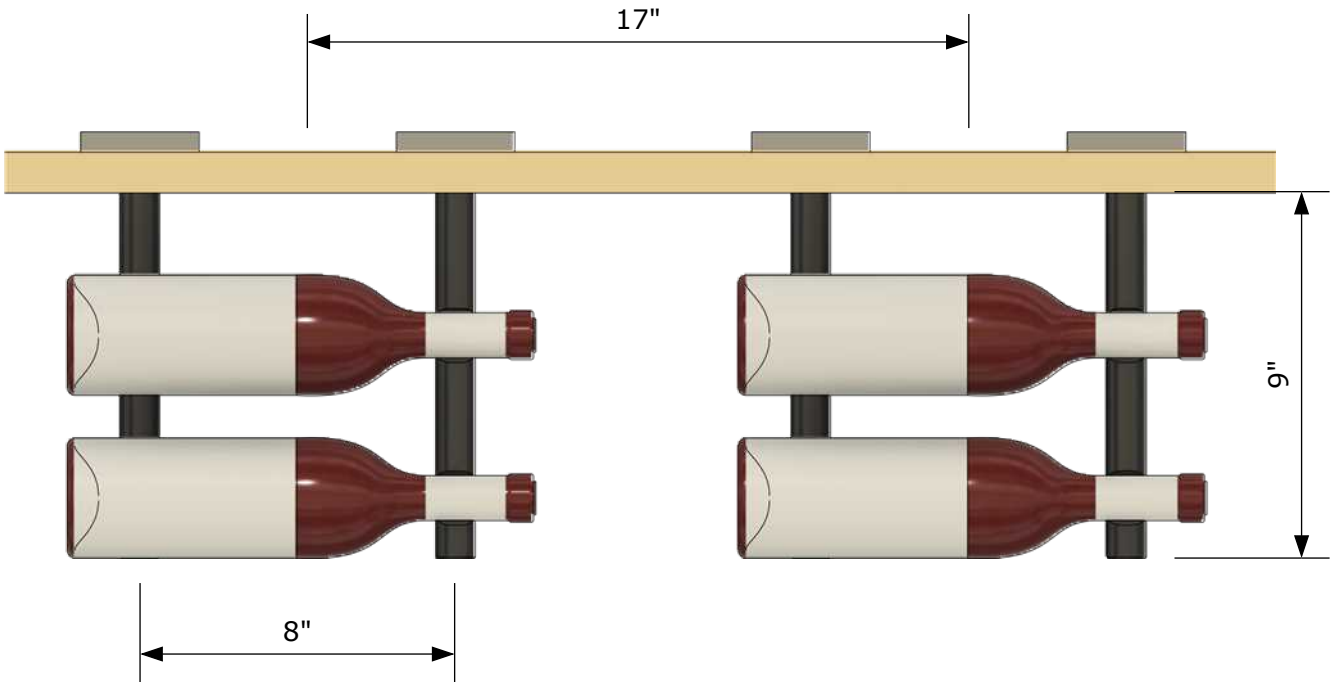
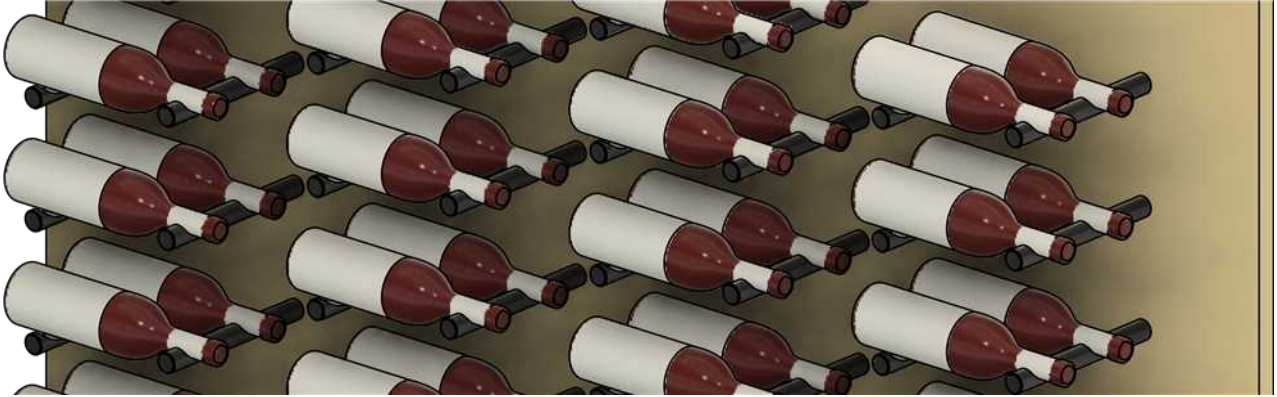
Spacing

Use the two provided 5" spacers to get the desired distance between each neck of bottle support and body of bottle support (see page 1).



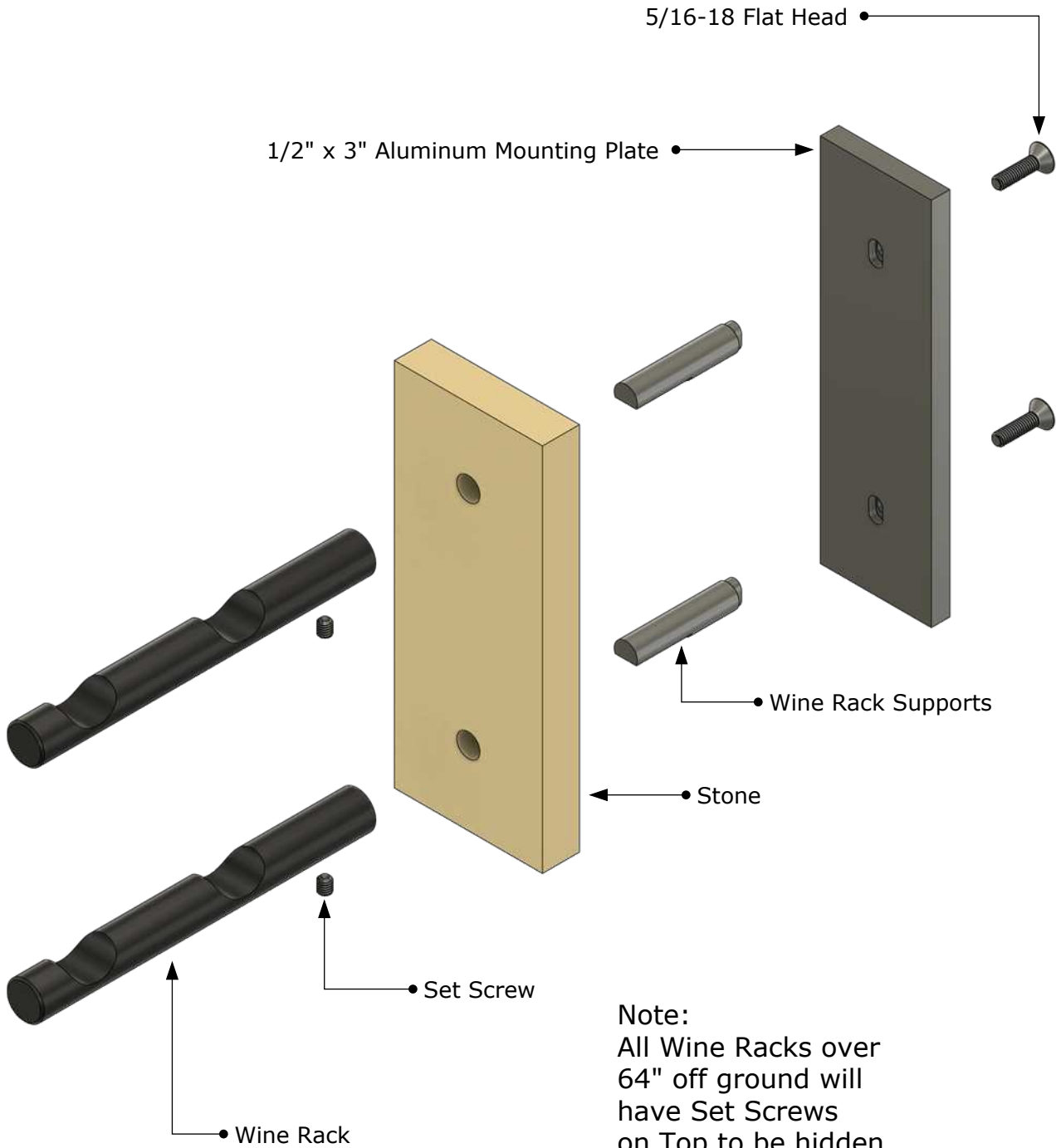


Aspen Hardware Company





Aspen Hardware Company



Note:
All Wine Racks over
64" off ground will
have Set Screws
on Top to be hidden
from view.





Aspen Hardware Company

1/2" x 3" x 88" Mounting Plates glued to back of Stone

