

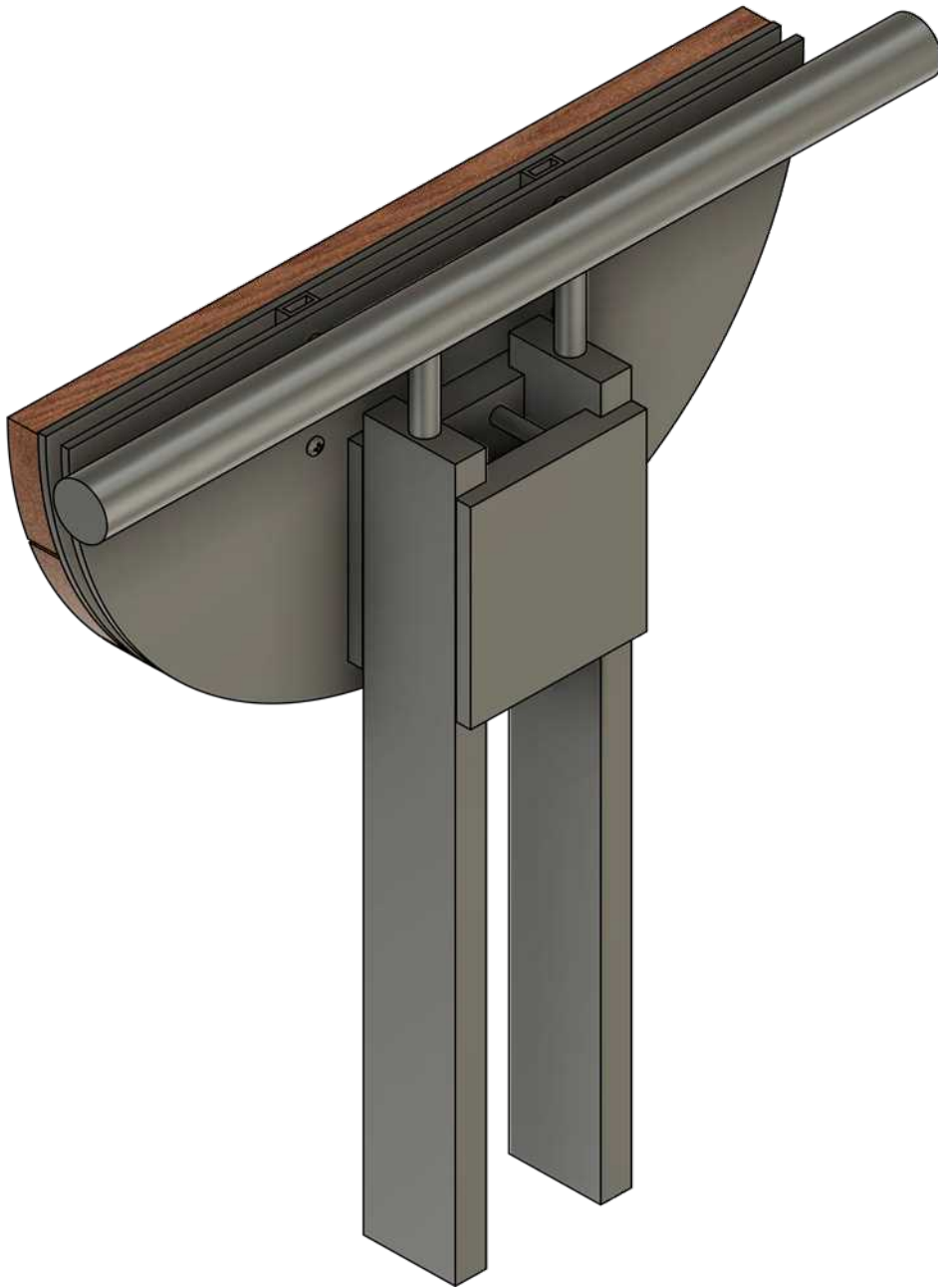
Open ISO Front View



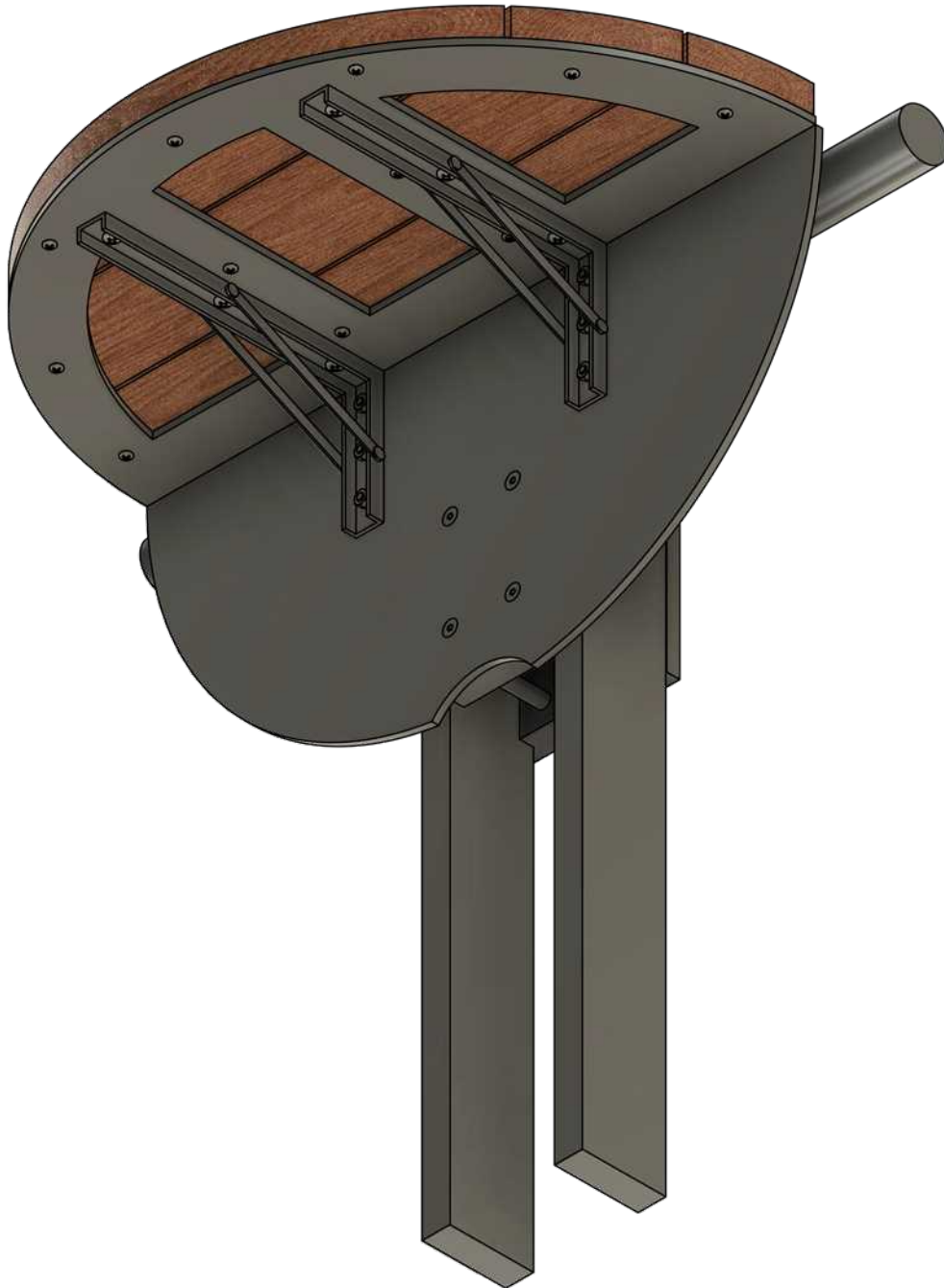
Closed ISO Front View

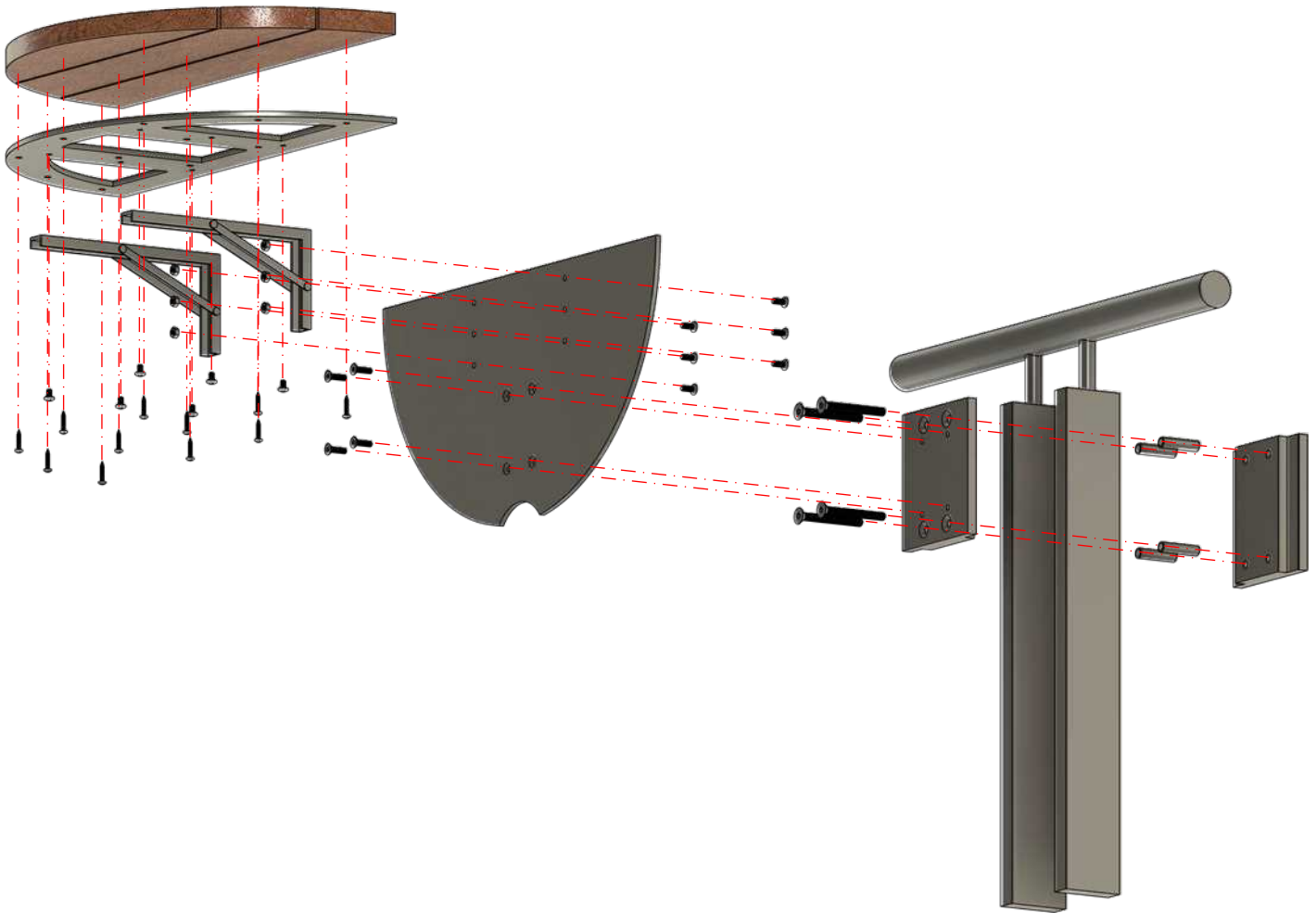


Closed ISO Back View



Open ISO Bottom View





Open X-Ray View

