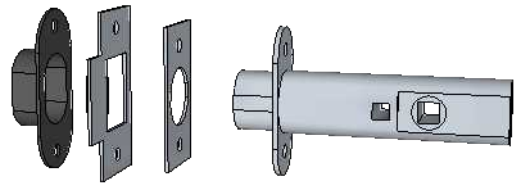
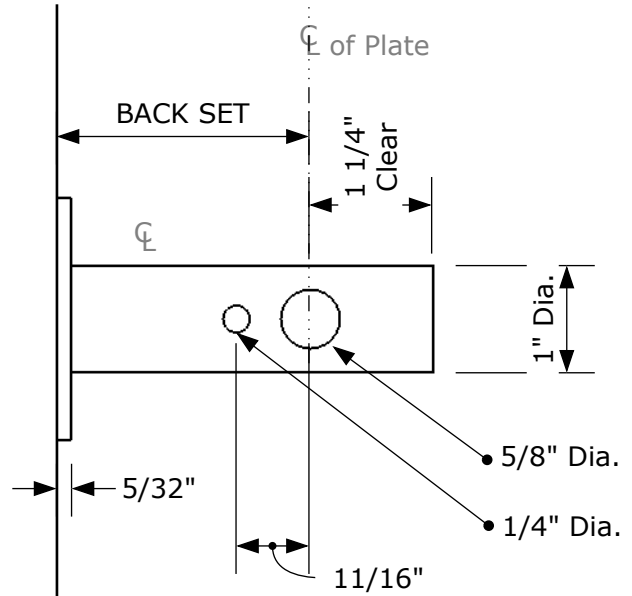
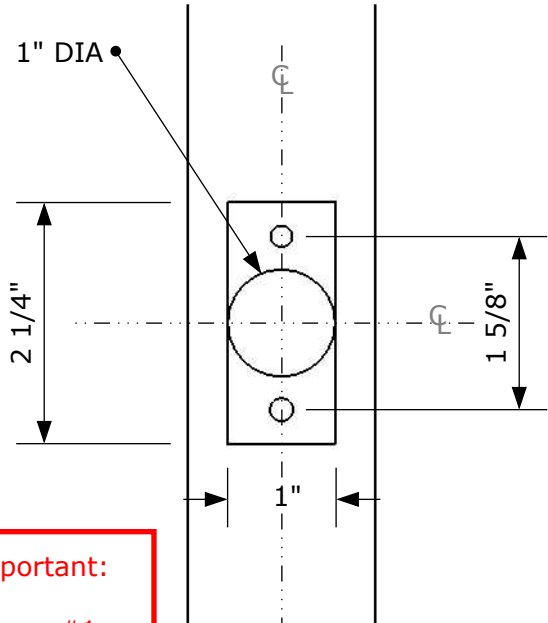


Edge of Door

Face of Door



Important:

#1:
Depth of Minor Side
of cut must be
+.140"

#2:
Shim Face
Plate Flush

Plan View

