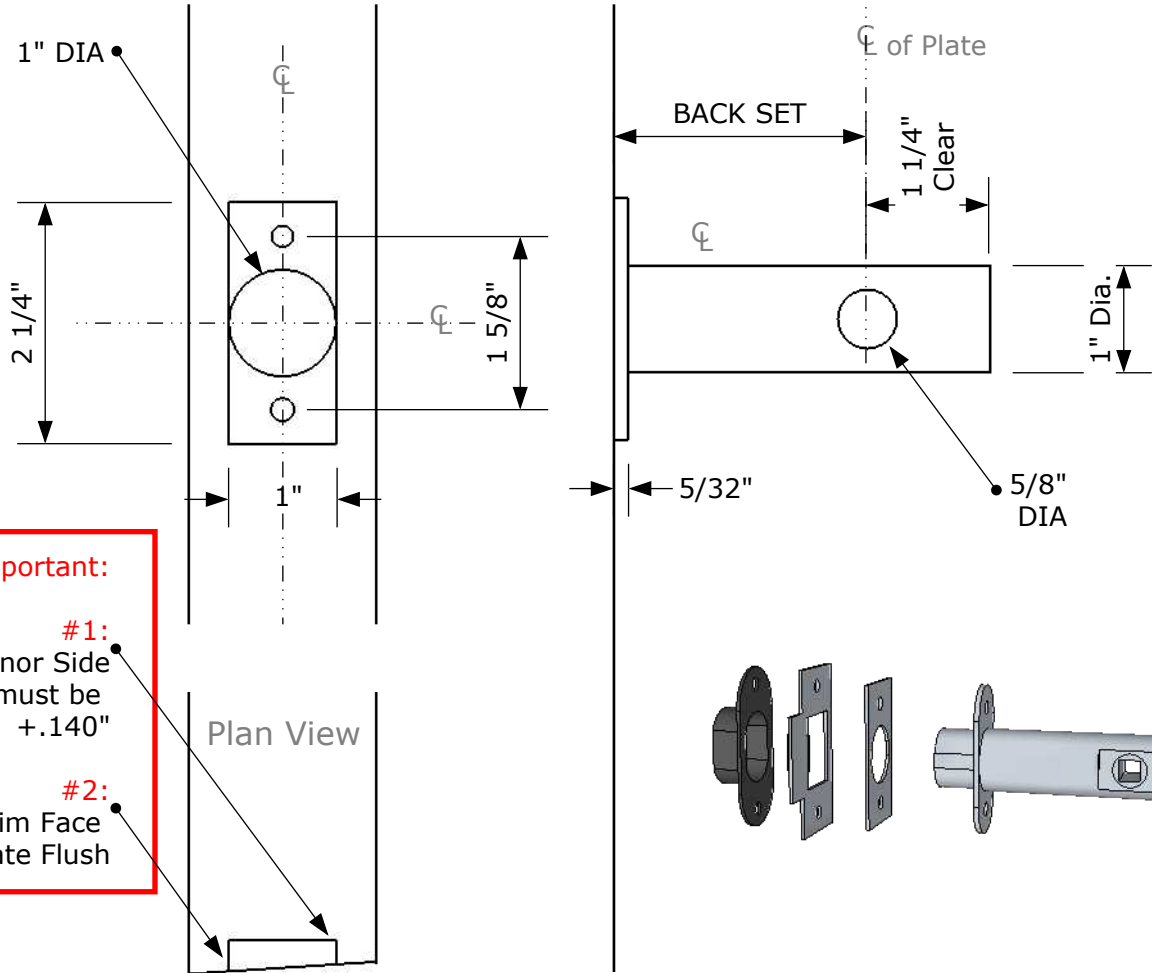


Edge of Door

Face of Door


**Important:**

#1:  
Depth of Minor Side  
of cut must be  
+.140"

#2:  
Shim Face  
Plate Flush

